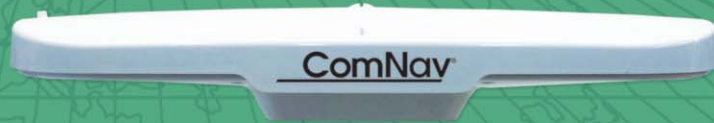


ComNav®

New



G1 GNSS Satellite Compass

Accurate Heading, Position and Rate of Turn

- **New:** Supports both GPS and **GLONASS** satellites for complete redundancy
- **New:** Heading accuracy < 0.5° rms
- **New:** Position accuracy < 1.0m 95% confidence (DGPS)
- **New:** An integrated 9 Axis Inertial Measurement Core (IMC technology) provides enhanced roll, tilt and heading stability even during momentary loss of satellite signals
- **New:** G3 color display system (optional)
- **New:** Engineered enhancements to exceed sealed IP67 rating
- **New:** Extended 2 year warranty
- NMEA 0183 and NMEA 2000® interface
- Heave, Pitch, Roll and Rate of Turn as standard output
- Heading updates 1 to 20 Hz
- BAUD Rate selectable: 4800, 9600, 19200, 38400, 115200
- Fully compatible with on board NMEA 0183 and NMEA 2000® RADAR, ECDIS, AIS, Cameras, SONAR, PC and Autopilots
- Compact integrated surface mounting and pole mount
- Pre-programmed default settings for Heading, Rate of Turn, Course over Ground, Lat/Long position, Time & Date
- 15 meter serial cable standard (30 meter optional)
- 6 meter NMEA 2000® Cable (Optional)
- CE certified for EMI and RFI immunity
- Worldwide service

SPECIFICATIONS:

Receiver Type:	L1, C/A code, with carrier phase smoothing
Channels:	Two x 32 parallel tracking GPS, GLONASS, SBAS
Update Rate:	Standard 10 Hz, Selectable up to 20 Hz (position and heading)
Horizontal Accuracy:	< 0.5m 95% confidence (DGPS)* < 2.5m 95% confidence (autonomous, no SA)**
Heading Accuracy:	< 0.50° rms
Pitch / Roll Accuracy:	< 1° rms
Heave Accuracy:	< 30 cm rms
Rate of Turn:	90° / sec max
Start-up Time:	< 60 sec typical
Heading Fix:	< 10 sec
Satellite Reacquisition:	< 1 sec

COMMUNICATIONS

Serial Ports:	1 full duplex R2-232 and 1 full duplex RS-422
Baud Rates:	4800 - 115200
Correction I/O Protocol:	RTCM SC-104
Data I/O Protocol:	NMEA 0183, NMEA 2000®, CAN
NMEA Heading Messages:	\$GPHDT, \$HEHDT, \$HEHDM, \$GPROT, \$GHEROT, \$GPGGA, \$GPGSV, \$GPVTG, \$GPRMC, \$GPZDA, \$PASHR

ENVIRONMENTAL

Operating Temperature:	-30°C to +70°C (-22°F to + 158°F)
Storage Temperature:	-40°C to +85°C (-40°F to + 185°F)
Humidity:	95% non-condensing
EMC:	FCC Part 1.5, Subpart B, Class B, CISPR22, CE

POWER

Input Voltage:	10 to 36 VDC
Power Consumption:	~ 2.8 W nominal
Current Consumption:	~ 240 mA @ 12 VDC
Power Isolation:	Power supply isolated from serial ports
Reverse Polarity Protection:	Yes
Power/Data Connection:	18-pin female circular, IP67 sealed 15m cable

AIDING DEVICES

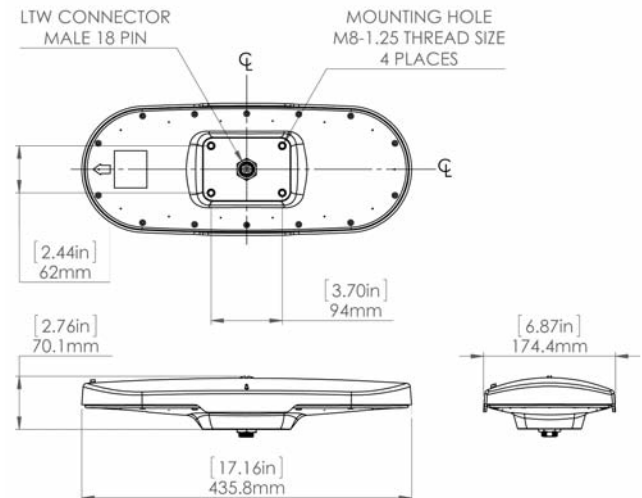
Gyro:	Provides reliable < 1° Heading for up to 3 minutes when loss of GPS has occurred
Tilt Sensor:	Assists in fast start-up of heading solution

- * Depends on multipath environment, number of satellites in view, satellite geometry, baseline length (for local services), and Ionospheric activity.
- ** Depends on multipath environment, number of satellites in view, and satellite geometry



DIMENSIONS: 435.8mm x 70.1mm x 174.4mm / 17.16" x 2.76" x 6.87" LxHxW

WEIGHT: 1.1 kg (2.5 lb)



ADDITIONAL OPTIONS:

- 30m NMEA 0183 Serial Data Cable
- 6m NMEA 2000® Cable
- Color LCD Sunlight G3 Instrument Display

ComNav®



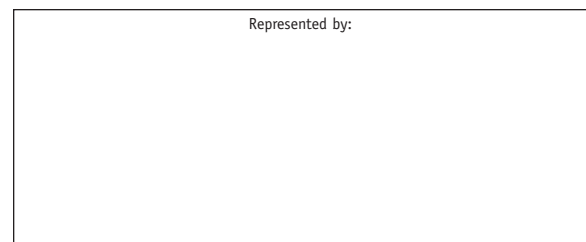
ComNav Marine Ltd.
 #15-13511 Crestwood Place,
 Richmond, British Columbia • Canada • V6V 2G1
 Phone: 604-207-1600 • Fax: 604-207-8008
 E-mail: sales@comnav.com

www.comnav.com

Worldwide Service

Printed in Canada

Represented by:



Specifications subject to change without notice