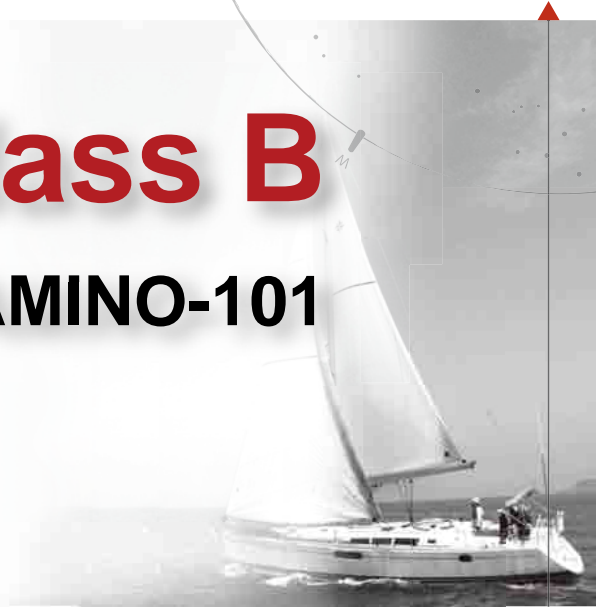


AIS Class B

CAMINO-101



► High Performance, High Quality

Approved by the BSH/CE/FCC/USCG, the AMEC CAMINO-101 Class B AIS Transponder, sets a new standard for quality, performance, and value. It delivers a versatile and high-quality AIS transponder solution that integrates easily with existing systems. It is an excellent choice for both recreational and professional use.

► Water Resistant, Robust Casing

Rugged hard-anodized aluminum case with sealed connectors and front- and back-gaskets for water resistance to ensure a longer lifetime in harsh marine environments.

► Bluetooth Wireless Communication

Optional Bluetooth enabled version for wireless communication to Bluetooth devices that displays AIS data. Excellent Windows-based AMEC AIS Viewer program with Chart & Alphanumeric views at no extra charge.

FEATURES

- Fully compliant with IEC 62287-1 standard
- Receives both Class A and Class B AIS messages
- Compatible with major AIS-ready Navigation Systems
- Greatly improves the level of the situational awareness in bad weather, poor visible conditions, and congested waterways
- Robust housing design, easy for installation
- Innovative wireless design and optional built-in Bluetooth
- Friendly AIS Viewer software for PC: Graphical display with two viewing modes: chart and alphanumeric views
- Can use external GPS data source from other navigational devices through NMEA0183 input

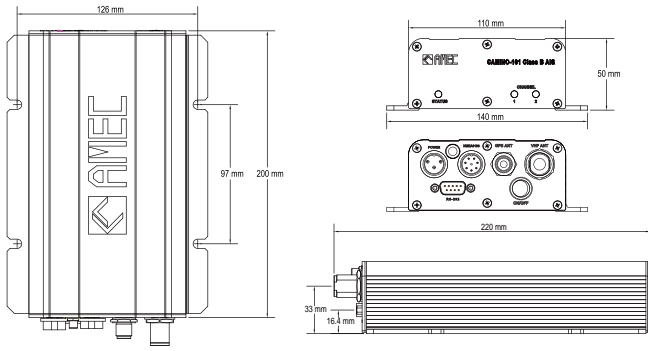
APPLICATIONS

- Leisure Boat
- Commercial Vessel
- Fishing Boat
- Barge / Tug

ORDERING INFORMATION

Model Name	Description
CAMINO-101	AIS Class B, silent mode configurable by PC software
CAMINO-101A	AIS Class B, silent mode configurable by PC software, silent mode switchable by optional Tx-Off Switch Box
CAMINO-101W	AIS Class B with Bluetooth, silent mode configurable by PC software, silent mode switchable by optional Tx-Off Switch Box

DIMENSIONS



SPECIFICATIONS

▶ APPLICABLE STANDARDS

IEC 62287-1 Ed. 2, 2010	IEC 61108-1 Ed. 1, 2003
IEC 61162-1 Ed. 3, 2007	IEC 60945 Ed. 4, 2002
IEC 61162-2 Ed. 1, 1998	ITU-R M.1371-4, 2010

▶ VHF TRANSCEIVER

Frequency Range	156.025 MHz ~ 162.025 MHz
Channel Bandwidth	25 KHz
Modulation	GMSK / FM
Data Rate	9,600 bps
Number of AIS Transmitter	1
Number of AIS Receiver	2 (one time-shared between AIS and DSC)
Number of DSC Receiver	1 (time-shared between AIS and DSC)
AIS Channel 1	CH 87B (161.975 MHz)
AIS Channel 2	CH 88B (162.025 MHz)
Tx Power Output	2 Watt (33 dBm ± 1.5 dB)
Rx Sensitivity	< -107 dBm @ 20% PER
Rx Message Format	AIS Class A & B messages

▶ DSC RECEIVER

Modulation	1,300 Hz / 2,100 Hz FSK
Data Rate	1,200 bps ± 30 ppm
Spurious Response Rejection	≥ 70 dB for signal @ -104 dBm; BER ≤ 1 %
Blocking	≥ 84 dB for signal @ -104 dBm; BER ≤ 1 %

▶ GPS RECEIVER (integrated)

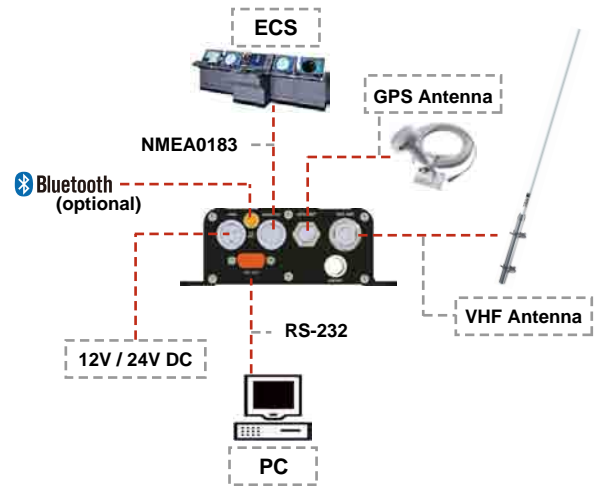
Receiving Channels	48 channels
Accuracy	IEC 61108-1 compliant
Output Rate	1 Hz

▶ POWER SUPPLY

Supply Voltage	12V / 24V DC
Power Consumption	Less than 4W average @ 12V DC

Note: Specifications are subject to change without prior notice.

CONNECTION DIAGRAM



▶ LED INDICATION

Power LED (tri-color)	Device normal, Silent mode, Power error, System failure, BIIT alarm
CHANNEL 1 LED (dual-color)	AIS signal transmit / receive
CHANNEL 2 LED (dual-color)	AIS signal transmit / receive

▶ CONNECTION INTERFACE

GPS Antenna Connector	TNC (Female)
VHF Antenna Connector	PL-259 (Female)
NMEA 0183 (RS-422)	IEC 61162-1 / IEC 61162-2, Baud rate 38,400 (default), programmable, Input/output at same baud rate
RS-232	Baud rate 38,400 (default), programmable
Silent Mode Switch Input	Via Tx-Off Switch Box (Optional)
Alarm Output	Relay contact
Wireless Connection	Bluetooth (optional)

▶ ENVIRONMENTAL

Operating Conditions	IEC 60945 "protected" category
Operating Temperature	-15°C ~ 55°C
Waterproof	IPX5

▶ PHYSICAL

Width	140 mm (5.51 inch)
Height	50 mm (1.97 inch)
Depth (exclude connector)	200 mm (7.87 inch)
Weight	870 g

▶ SOFTWARE TOOL

AMEC AIS Configuration	PC configuration utility
AMEC AIS Viewer	AIS Viewer for PC



Alltek Marine Electronics Corporation

7F, No. 605, Ruei Guang Rd., Neihu, Taipei, Taiwan 114
Tel: +886-2-2627-1599 Fax: +886-2-2627-1600

www.alltekmarine.com

The AIS Specialists

Sales Contact

For more information, please contact your local representative or Alltek Marine at

sales@alltekmarine.com

Distributor/Dealer